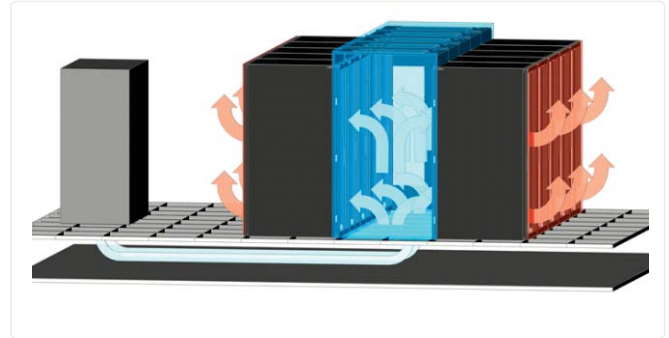
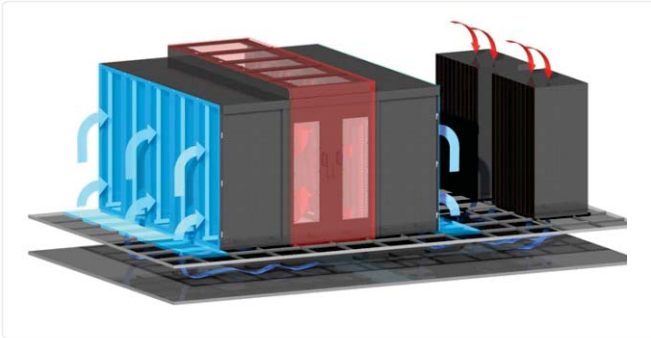


WiseAir™ – Product Configuration



- 1-** Highly reliable scroll compressor
- 2-** Industry leading brands EC / AC fan
- 3-** Intelligent industry-leading controller with color touch screen. Supports BMS integration, teamwork and master/slave working policy.
- 4-** A large area of high-efficiency heat exchanger
- 5-** Industry-leading brands thermostatic expansion valve/electronic expansion valve
- 6-** A large area air filtration system closed to heat exchanger
- 7-** Electrode humidifier
- 8-** Modular design of cabinet can easily achieve secondary disassembly

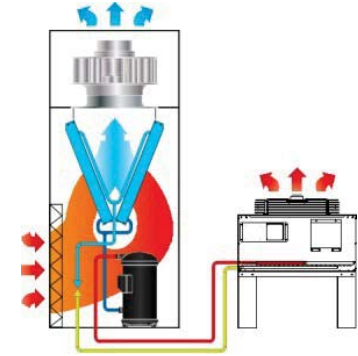


WiseAir™ – Product Configuration

DOWNFLOW

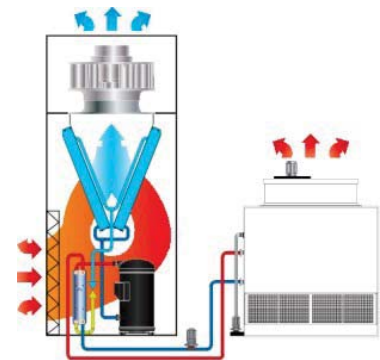


COOLING TYPE



AIR-COOLED

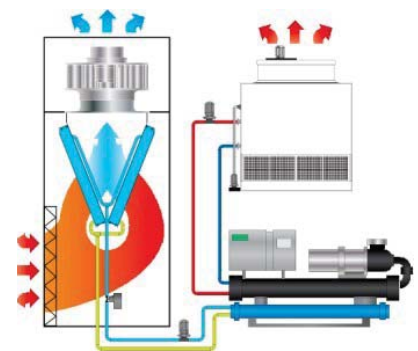
UPFLOW



WATER-COOLED

Options

- Long Piping Kit
- Low-temperature Kit
- Water Leaking Kit
- RS485 / SNMP Network
- Monitoring Card
- Automatic Phase Switching
- Module
- Cooling Type
- Air-cooled
- Chilled water
- Lightning Protection Module
- High-power Electric Heating System
- Large Color Display
- Remote Temperature and Humidity sensor
- Ultra-quiet Air-cooled Outdoor Condenser



CHILLED WATER

WiseAir™ – Room Cooling DX Type

| BKT Precision Cooling Room DX- Technical Parameters | | | | |
|---|------------------------------------|------------------------------------|------------------------------------|------------------------------------|
| Indoor (U/D) (Upflow/Downflow) | 110KCG5505DX0.3 110KCD5505DX0.3 | 110KCG5507DX0.3 110KCD5507DX0.3 | 110KCG6512DX0.3 110KCD6512DX0.3 | 110KCG7517DX0.3 110KCD7517DX0.3 |
| Cooling Capacity –kW | 5,5 | 7,5 | 12,5 | 17,5 |
| Sensible Capacity –kW | 5,2 | 6,8 | 11,3 | 15,9 |
| SHR-% | 94,5 | 90,7 | 90,4 | 90,9 |
| Air Volume-m ³ /h | 2000 | 2250 | 2850 | 5000 |
| Fan Type | AC / EC | AC / EC | AC / EC | AC / EC |
| Heating Capacity-kW | 3 | 3 | 4 | 6 |
| Heating Type | PTC | PTC | PTC | PTC |
| Humidification Capacity-kg / h | 2,5 | 2,5 | 4 | 4,5 |
| Humidifier Type | Electrode | Electrode | Electrode | Electrode |
| Filter Rating | G3 | G3 | G3 | G4 |
| Weight-kg | 118 | 128 | 178 | 300 |
| Width-mm | 550 | 550 | 650 | 750 |
| Depth –mm | 450 | 450 | 550 | 700 |
| Height-mm | 1750 | 1750 | 1850 | 1900 |
| Power Input ¹⁾ | 220V/50Hz/1Ph | 220V/50Hz//1Ph | 400V/50Hz//3Ph | 400V/50Hz//3Ph |
| FLA-A ¹⁾ | 15,6 | 17,6 | 16 | 19,5 |
| Recommended Breakder ¹⁾ | D20 | D20 | D20 | D25 |
| Recommended Breakder ³⁾ | - | - | D32 | D40 |
| Startup Current- A | 46,8 | 52,8 | 48 | 58,5 |
| Pipe Connection-mm | 10/12 | 10/12 | 12/16 | 16/16 |
| Drain Connection-mm | 20 | 20 | 20 | 20 |
| Water In Connection | 3/4"G | 3/4"G | 3/4"G | 3/4"G |
| Single/Dual System | Single | Single | Single | Single |
| Refrigerant | R410A | R410A | R410A | R410A |
| Outdoor (Recommended) | 110KSF0800000.1 | 110KSF1200000.1 | 110KSF1800000.1 | 110KSF2400000.1 |
| Single/Dual | Single | Single | Single | Single |
| Numbers | 1 | 1 | 1 | 1 |
| Weight-kg | 28 | 40 | 67 | 105 |
| Depth-mm | 420 | 420 | 420 | 990 |
| Width-mm | 800 | 800 | 800 | 1407 |
| Height-mm | 790 | 790 | 1240 | 689 |
| Feet Height-mm | - | - | - | 450 |
| Power Type ¹⁾ | 220V/50Hz/1Ph | 220V/50Hz/1Ph | 220V/50Hz/1Ph | 400V/50Hz/3Ph |
| FLA –A ¹⁾ | 1,5 | 1,5 | 3 | 2 |
| Pipe Connection-mm | 10/12 | 10/12 | 12/16 | 16/22 |

WiseAir™ – Room Cooling DX Type

| BKT Precision Cooling Room DX- Technical Parameters | | | | |
|---|------------------------------------|------------------------------------|------------------------------------|------------------------------------|
| Indoor (U/D) (Upflow/Downflow) | 110KCG7521DX0.3 110KCD7521DX0.3 | 110KCG8527DX0.3 110KCD8527DX0.3 | 110KCG1137DX0.3 110KCD1137DX0.3 | 110KCG1350DX0.3 110KCD1350DX0.3 |
| Cooling Capacity –kW | 21,2 | 27,5 | 32,5 | 37,7 |
| Sensible Capacity –kW | 19,1 | 25 | 29,3 | 34 |
| SHR-% | 90,1 | 90,9 | 90,2 | 90,2 |
| Air Volume-m ³ /h | 6200 | 6700 | 8325 | 8620 |
| Fan Type | AC / EC | AC / EC | AC / EC | AC / EC |
| Heating Capacity-kW | 6 | 6 | 6 | 6 |
| Heating Type | PTC | PTC | PTC | PTC |
| Humidification Capacity-kg / h | 4,5 | 5 | 8 | 8 |
| Humidifier Type | Electrode | Electrode | Electrode | Electrode |
| Filter Rating | G4 | G4 | G4 | G4 |
| Weight-kg | 318 | 338 | 433 | 438 |
| Width-mm | 750 | 850 | 1126 | 1126 |
| Depth –mm | 700 | 700 | 990 | 990 |
| Height-mm | 1900 | 1900 | 1975 | 1975 |
| Power Input ¹⁾ | 400V/50Hz//3Ph | 400V/50Hz//3Ph | 400V/50Hz//3Ph | 400V/50Hz//3Ph |
| FLA-A ¹⁾ | 27,5 | 30,9 | 32,8 | 35,7 |
| Recommended Breakder ¹⁾ | D32 | D40 | D40 | D40 |
| Recommended Breakder ³⁾ | D63 | D63 | D63 | D80 |
| Startup Current- A | 82,5 | 92,7 | 98,4 | 107,1 |
| Pipe Connection-mm | 16/16 | 16/22 | 16/22 | 16/22 |
| Drain Connection-mm | 20 | 20 | 20 | 20 |
| Water In Connection | 3/4"G | 3/4"G | 3/4"G | 3/4"G |
| Single/Dual System | Single | Single | Single | Single |
| Refrigerant | R410A | R410A | R410A | R410A |
| Outdoor (Recommended) | 110KSF2400000.1 | 110KSF3200000.1 | 110KSF1800000.1 | 110KSF5200000.1 |
| Single/Dual | Single | Single | Single | Single |
| Numbers | 1 | 1 | 1 | 1 |
| Weight-kg | 105 | 110 | 120 | 140 |
| Depth-mm | 990 | 990 | 990 | 1273 |
| Width-mm | 1407 | 1407 | 1407 | 1607 |
| Height-mm | 689 | 689 | 695 | 695 |
| Feet Height-mm | 450 | 450 | 450 | 450 |
| Power Type ¹⁾ | 400V/50Hz/3Ph | 400V/50Hz/3Ph | 400V/50Hz/3Ph | 400V/50Hz/3Ph |
| FLA –A ¹⁾ | 2 | 2 | 2,8 | 2,8 |
| Pipe Connection-mm | 16/22 | 16/22 | 16/22 | 22/28 |

WiseAir™ – Room Cooling DX Type

| BKT Precision Cooling Room DX- Technical Parameters | | | | |
|---|------------------------------------|------------------------------------|------------------------------------|------------------------------------|
| Indoor (U/D) (Upflow/Downflow) | 110KCG1350DX0.3 110KCD1350DX0.3 | 110KCG1871DX0.3 110KCD1871DX0.3 | 110KCG1343DX0.3 110KCD1343DX0.3 | 110KCG1350DX0.3 110KCD1350DX0.3 |
| Cooling Capacity –kW | 41,8 | 50 | 43,5 | 50,1 |
| Sensible Capacity –kW | 38,1 | 45 | 39,2 | 45,2 |
| SHR-% | 91,1 | 90 | 90,1 | 90,2 |
| Air Volume-m ³ /h | 10500 | 12400 | 10500 | 12400 |
| Fan Type | AC / EC | AC / EC | AC / EC | AC / EC |
| Heating Capacity-kW | 9 | 9 | 9 | 9 |
| Heating Type | PTC | PTC | PTC | PTC |
| Humidification Capacity-kg / h | 10 | 10 | 10 | 10 |
| Humidifier Type | Electrode | Electrode | Electrode | Electrode |
| Filter Rating | G4 | G4 | G4 | G4 |
| Weight-kg | 468 | 528 | 478 | 568 |
| Width-mm | 1326 | 1326 | 1326 | 1326 |
| Depth –mm | 990 | 990 | 990 | 990 |
| Height-mm | 1975 | 1975 | 1975 | 1975 |
| Power Input ¹⁾ | 400V/50Hz//3Ph | 400V/50Hz//3Ph | 400V/50Hz//3Ph | 400V/50Hz//3Ph |
| FLA-A ¹⁾ | 43,2 | 48,2 | 42,4 | 52,8 |
| Recommended Breakder ¹⁾ | D63 | D63 | D63 | D63 |
| Recommended Breakder ³⁾ | - | - | - | - |
| Startup Current- A | 129,6 | 144,6 | 127,2 | 158,4 |
| Pipe Connection-mm | 16/22 | 16/22 | 16/22 | 16/22 |
| Drain Connection-mm | 20 | 20 | 20 | 20 |
| Water In Connection | 3/4"G | 3/4"G | 3/4"G | 3/4"G |
| Single/Dual System | Single | Single | Dual | Dual |
| Refrigerant | R410A | R410A | R410A | R410A |
| Outdoor (Recommended) | 110KSF520000.1 | 110KSF620000.1 | 110KDF520000.1 | 110KDF620000.1 |
| Single/Dual | Single | Single | Dual | Dual |
| Numbers | 1 | 1 | 1 | 1 |
| Weight-kg | 140 | 150 | 140 | 160 |
| Depth-mm | 1273 | 1273 | 1273 | 1273 |
| Width-mm | 1607 | 1907 | 1607 | 2107 |
| Height-mm | 695 | 689 | 695 | 689 |
| Feet Height-mm | 450 | 450 | 450 | 450 |
| Power Type ¹⁾ | 400V/50Hz/3Ph | 400V/50Hz/3Ph | 400V/50Hz/3Ph | 400V/50Hz/3Ph |
| FLA –A ¹⁾ | 2,8 | 4 | 2,8 | 4 |
| Pipe Connection-mm | 22/28 | 22/28 | 22/28 | 22/28 |

WiseAir™ – Room Cooling DX Type

| BKT Precision Cooling Room DX- Technical Parameters | | | | |
|---|------------------------------------|------------------------------------|------------------------------------|------------------------------------|
| Indoor (U/D) (Upflow/Downflow) | 110KCG1865DX0.3 110KCD1865DX0.3 | 110KCG1871DX0.3 110KCD1871DX0.3 | 110KCG2083DX0.3 110KCD2083DX0.3 | 110KCG2092DX0.3 110KCD2092DX0.3 |
| Cooling Capacity –kW | 65,1 | 71,1 | 83,6 | 92,1 |
| Sensible Capacity –kW | 58,8 | 64 | 75,3 | 83,6 |
| SHR-% | 90,3 | 90 | 90,1 | 90,8 |
| Air Volume-m ³ /h | 16650 | 17240 | 21000 | 22600 |
| Fan Type | AC / EC | AC / EC | AC / EC | AC / EC |
| Heating Capacity-kW | 9 | 9 | 12 | 12 |
| Heating Type | PTC | PTC | PTC | PTC |
| Humidification Capacity-kg / h | 10 | 10 | 12 | 12 |
| Humidifier Type | Electrode | Electrode | Electrode | Electrode |
| Filter Rating | G4 | G4 | G4 | G4 |
| Weight-kg | 688 | 718 | 768 | 806 |
| Width-mm | 1826 | 1826 | 2026 | 2026 |
| Depth –mm | 990 | 990 | 990 | 990 |
| Height-mm | 1975 | 1975 | 1975 | 1975 |
| Power Input ¹⁾ | 400V/50Hz//3Ph | 400V/50Hz//3Ph | 400V/50Hz//3Ph | 400V/50Hz//3Ph |
| FLA-A ¹⁾ | 61 | 63,9 | 77,2 | 82,2 |
| Recommended Breakder ¹⁾ | D80 | D80 | D100 | D100 |
| Recommended Breakder ³⁾ | - | - | - | - |
| Startup Current- A | 183 | 191,7 | 231,6 | 246,6 |
| Pipe Connection-mm | 16/22 | 16/22 | 16/22 | 16/22 |
| Drain Connection-mm | 20 | 20 | 20 | 20 |
| Water In Connection | 3/4"G | 3/4"G | 3/4"G | 3/4"G |
| Single/Dual System | Dual | Dual | Dual | Dual |
| Refrigerant | R410A | R410A | R410A | R410A |
| Outdoor (Recommended) | 110KDF760000.1 | 110KSF520000.1 | 110KSF520000.1 | 110KSF620000.1 |
| Single/Dual | Dual | Single | Single | Single |
| Numbers | 1 | 2 | 2 | 2 |
| Weight-kg | 220 | 140 | 140 | 150 |
| Depth-mm | 1273 | 1273 | 1273 | 1273 |
| Width-mm | 2407 | 1607 | 1607 | 2107 |
| Height-mm | 695 | 695 | 695 | 689 |
| Feet Height-mm | 450 | 450 | 450 | 450 |
| Power Type ¹⁾ | 400V/50Hz/3Ph | 400V/50Hz/3Ph | 400V/50Hz/3Ph | 400V/50Hz/3Ph |
| FLA –A ¹⁾ | 4 | 2,8 | 2,8 | 4 |
| Pipe Connection-mm | 22/28 | 22/28 | 22/28 | 22/28 |

WiseAir™ – Room Cooling DX Type

BKT Precision Cooling Room DX- Technical Parameters

| | |
|------------------------------------|-------------------------------------|
| Indoor (U/D) (Upflow/Downflow) | 110KCG222100DX.3 110KCD22100DX.3 |
| Cooling Capacity –kW | 100,9 |
| Sensible Capacity –kW | 91,1 |
| SHR-% | 90,2 |
| Air Volume-m ³ /h | 24800 |
| Fan Type | AC / EC |
| Heating Capacity-kW | 12 |
| Heating Type | PTC |
| Humidification Capacity-kg / h | 12 |
| Humidifier Type | Electrode |
| Filter Rating | G4 |
| Weight-kg | 888 |
| Width-mm | 2226 |
| Depth –mm | 990 |
| Height-mm | 1975 |
| Power Input ¹⁾ | 400V/50Hz//3Ph |
| FLA-A ¹⁾ | 87,2 |
| Recommended Breakder ¹⁾ | D100 |
| Recommended Breakder ³⁾ | - |
| Startup Current- A | 261,6 |
| Pipe Connection-mm | 16/22 |
| Drain Connection-mm | 20 |
| Water In Connection | 3/4"G |
| Single/Dual System | Dual |
| Refrigerant | R410A |
| Outdoor (Recommended) | 110KSF6200000.1 |
| Single/Dual | Single |
| Numbers | 2 |
| Weight-kg | 150 |
| Depth-mm | 1273 |
| Width-mm | 1907 |
| Height-mm | 689 |
| Feet Height-mm | 450 |
| Power Type ¹⁾ | 400V/50Hz/3Ph |
| FLA –A ¹⁾ | 4 |
| Pipe Connection-mm | 22/28 |

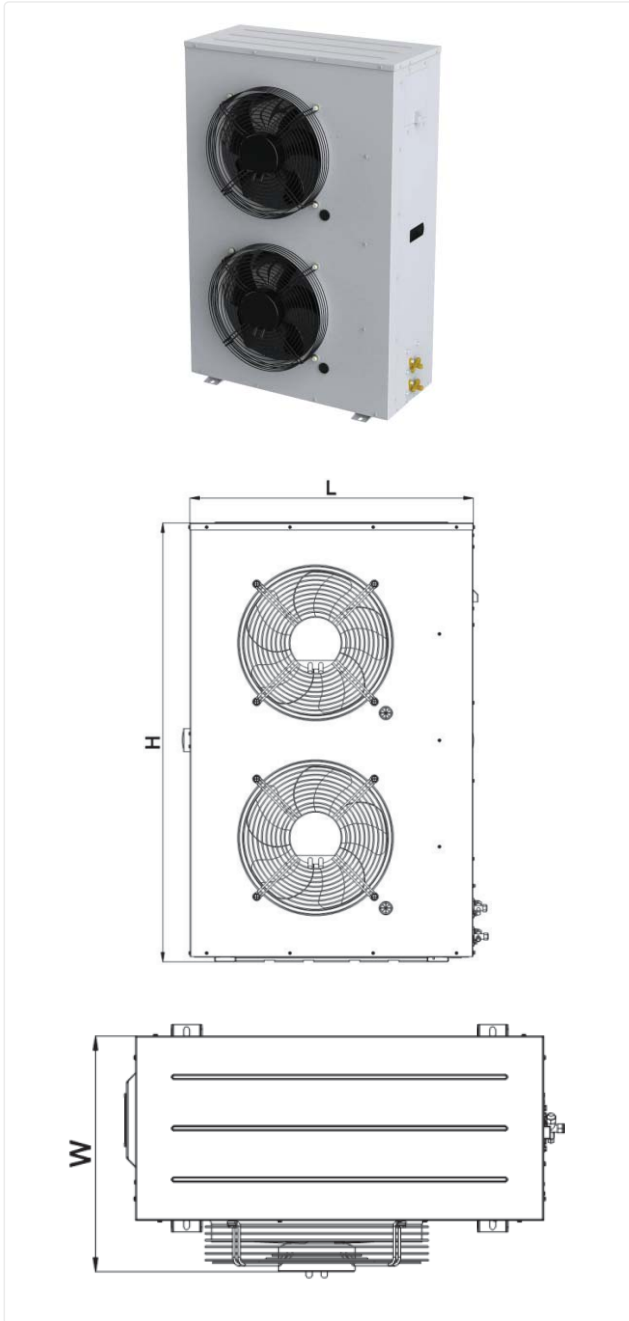
Notes:

1. Capacity based on 24°C/50%RH return air conditions, and 45C condensing temperature.
2. The standard ESP 20Pa. Higher application shall refer to technical department for confirmation.
3. Full load current parameters of the indoor unit includes the outdoor unit of full load current.
4. Standard air-cooled outdoor unit operating temperature range-15°C above, optional operating temperature range of the components-35°C with low temperature kit.
5. Indoor unit is 50Hz or choiceable prior order, outdoor unit is 50Hz/ common.
6. Option: Piping extension kit for long piping distance installation more than 30m equivalent distance. FreeCooling pump, ATS kit for automatic power switching ,space saving dual contactor type.
7. Customized design is negotiable
8. Rights reserved to change parameters without prior notification
9. Option: Cooling with humidification

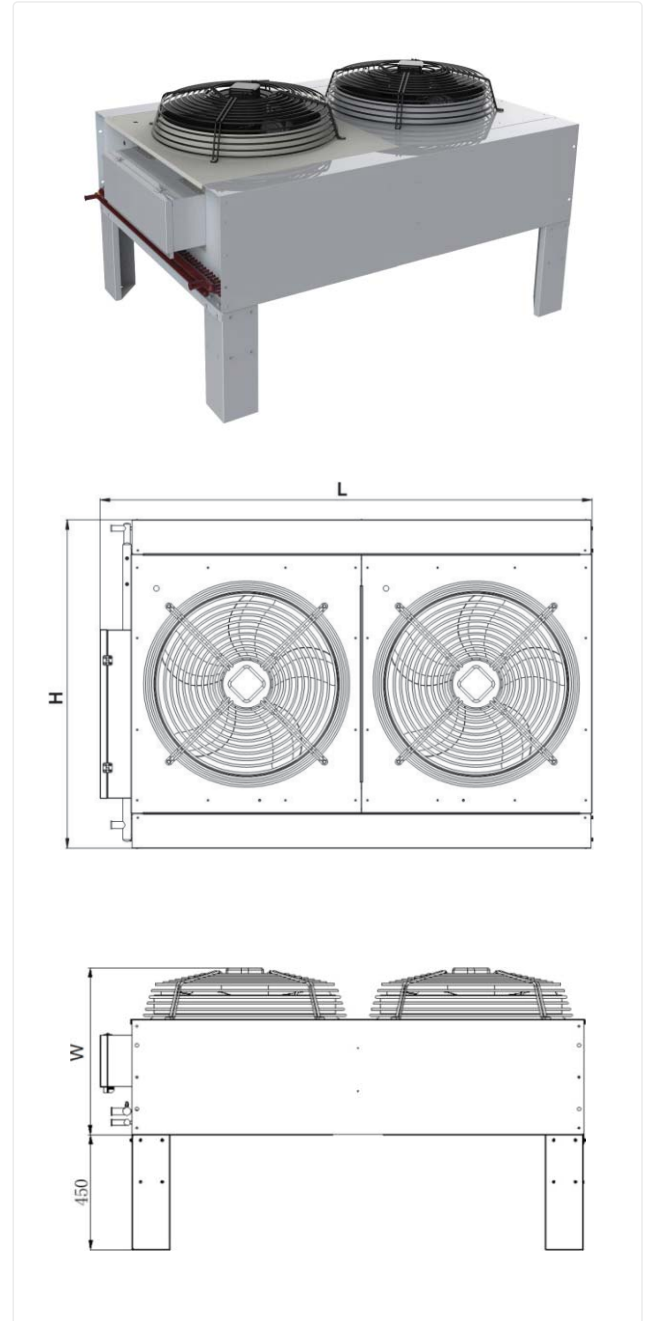
Normal high pressure is about 21bar and 9bar low pressure. 4bar low pressure alarm point, and 39bar high pressure point.

Air Cooled Condenser

KSF06 - KSF18



KSF24 - KDF85



Options

- Long Piping Kit
- Low-temperature Kit
- Water Leaking Kit
- RS485 / SNMP Network
- Monitoring Card
- Monitoring Card
- Automatic Phase Switching
- Module
- Cooling Type
- Air-cooled

Air Cooled Condenser

| BKT Condenser Technical Data | | | | | |
|------------------------------|-----------------|-----------------|-----------------|-----------------|-----------------|
| Model | 110KSF0600000.1 | 110KSF0800000.1 | 110KSF1200000.1 | 110KSF1800000.1 | 110KSF2400000.1 |
| Single/Dual System | Single | Single | Single | Single | Single |
| Weight- kg | 28 | 28 | 40 | 67 | 105 |
| Depth- mm | 395 | 420 | 420 | 420 | 990 |
| Height-mm | 632 | 790 | 790 | 1240 | 689 |
| Leg Height | - | - | - | - | 450 |
| Power Input ¹⁾ | 220V/50Hz/1Ph | 220V/50Hz/1Ph | 220V/50Hz/1Ph | 220V/50Hz/1Ph | 400V/50Hz/3Ph |
| FLA-A | 1.5 | 1.5 | 1.5 | 3.0 | 1.7 |
| Piping Connection - mm | 10/12 | 10/12 | 10/12 | 12/16 | 16/22 |

| BKT Condenser Technical Data | | | | | |
|------------------------------|-----------------|-----------------|-----------------|-----------------|-----------------|
| Model | 110KSF3200000.1 | 110KSF3800000.1 | 110KSF4200000.1 | 110KSF5200000.1 | 110KSF6200000.1 |
| Single/Dual System | Single | Single | Single | Single | Single |
| Weight- kg | 110 | 120 | 130 | 140 | 150 |
| Depth- mm | 990 | 990 | 1273 | 1273 | 1273 |
| Height-mm | 689 | 695 | 695 | 695 | 689 |
| Leg Height | 450 | 450 | 450 | 450 | 450 |
| Power Input ¹⁾ | 400V/50Hz/3Ph | 400V/50Hz/3Ph | 400V/50Hz/3Ph | 400V/50Hz/3Ph | 400V/50Hz/3Ph |
| FLA-A | 1.7 | 2.4 | 2.4 | 2.4 | 3.3 |
| Piping Connection - mm | 16/22 | 16/22 | 16/22 | 22/28 | 22/29 |

| BKT Condenser Technical Data | | | | |
|------------------------------|----------------|----------------|----------------|----------------|
| Model | 110KDF620000.1 | 110KDF700000.1 | 110KDF760000.1 | 110KDF850000.1 |
| Single/Dual System | Dual | Dual | Dual | Dual |
| Weight- kg | 160 | 160 | 220 | 230 |
| Depth- mm | 1273 | 1273 | 1273 | 1273 |
| Height-mm | 689 | 689 | 695 | 695 |
| Leg Height | 450 | 450 | 450 | 450 |
| Power Input ¹⁾ | 400V/50Hz/3Ph | 400V/50Hz/3Ph | 400V/50Hz/3Ph | 400V/50Hz/3Ph |
| FLA-A | 3.3 | 3.3 | 4.8 | 4.8 |
| Piping Connection - mm | 22/30 | 22/31 | 22/32 | 22/33 |

Notes

1. 110KSF080000.1-110KSF180000.1 is vertical installation, and adopts quick piping connection
2. 110KSF240000.1 and above is horizontal/vertical adaptive, and adopts soldering connection

www.bkte.pl

BKT Elektronik
ul. Łochowska 69
86-005 Białe Błota
Tel. +48 52 36 36 371
Fax. +48 52 36 36 370