

**BKT AL200 - Electronic locking & monitoring swinghandle with mechanical override**
**Product description**



Electrically controlled and monitored swinghandle for IT cabinets.

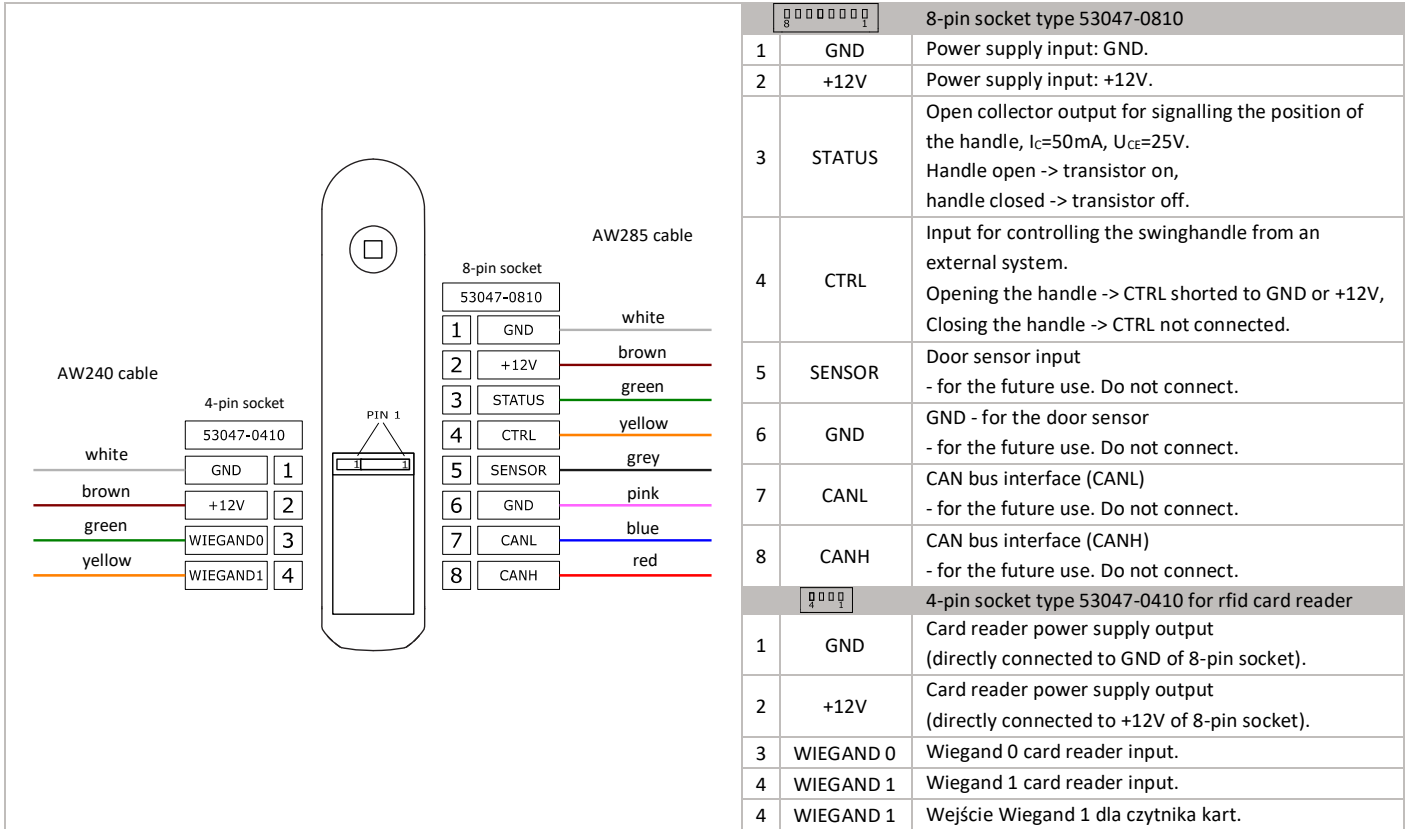
- It allows the remote opening from any external access control systems.
- Can work in stand-alone mode when any card reader with Wiegand interface is connected.
- Equipped with the optical sensor of the handle position.
- Two connectors for control and status signals of the handle and optional card reader.
- Three-color LED signalling the operation status of the swinghandle.
- Emergency key override.
- Available inserts for the master key system.
- For use with indoor cabinets.
- Installation in a standard 150x25mm cut out.
- Can be installed in a single and multi-point locking system (requires additional elements - cam or cogwheel mechanism, which should be ordered separately).


**Technical data**

Power Supply	Nominal 12V DC Acceptable 10-24V DC
Current consumption	Quiescent: 30mA Maximal when opening/closing: 180mA
Connectors	8-pin connector type 53047-0810 4-pin connector type 53047-0410
Operating conditions	Temperature: 0°C - 50°C Humidity: 0% - 90% RH (without condensation)
Enclosure	Glass fibre reinforced polyamide PA6 GF30
Dimensions	177x37x51mm
Colour	Black, RAL 9005
Weight	150g
Enclosure protection	IP30 according to EN 60529:1991/A2:2013/AC:2019- 02
Compliance with directives	2014/30/EU (EMC), 2011/65/EU (RoHS)
Part number	122AL002000

**Accessories**

Produkt		Indeks
	AW285 - AL200 swinghandle 8-wire connection cable, length 5m; connectors: 1- plug, 2-ferrules	122AW002850
	AW240 - AL200 swinghandle 4-wire connection cable, length 0.5m; connectors: 1- plug, 2-ferrules	122AW002400

**BKT AL200 - Electronic locking & monitoring swinghandle with mechanical override**
**Connectors**

**Dimensions**
