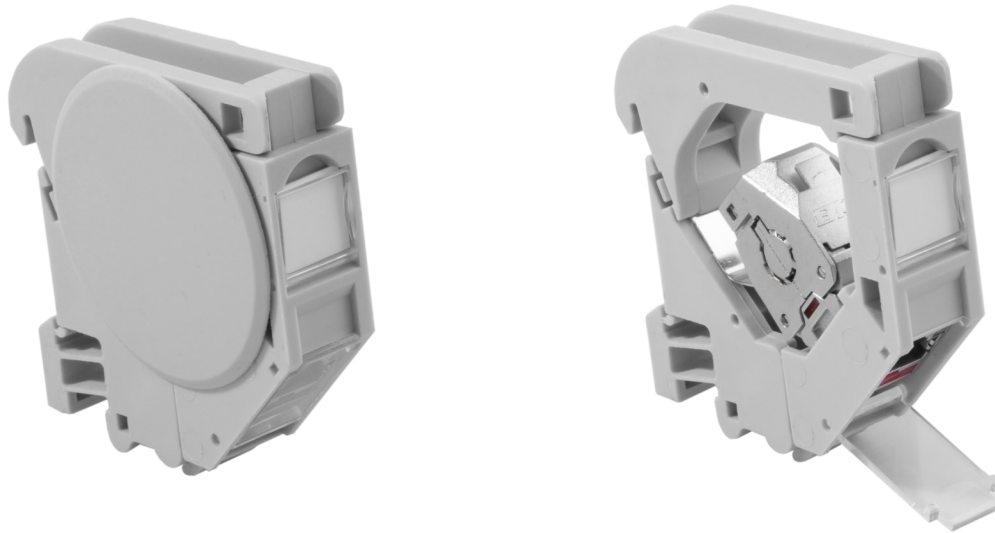


Product Information

BKT TYPE-C DIN rail adapter, shielded, keystone standard

Card No.: PI_11330027_01.21



Application

Adapter designed to terminate structural cabling lines in switchgear and industrial enclosures equipped with DIN rail. Enables to built-in outlets modules or inserts in keystone standard. Design of that adapter allows to install in switchgear without cover for modular devices.

Features

- Enables the installation of structural cabling with the keystone modules in switchgear and enclosures
- Suitable for DIN (TH35) rail mounting
- The adapter design includes a grounding contact
- Install the keystone jack in the adapter at an angle of 45 degrees
- Equipped with a descriptive window and dust cover
- Possibility to instal keystone jack width 17mm
- Installation in switchgear and casings without modular cover
- Possibility to instal keystone UTP and STP version
- Size (width x height x depth) without side covers: 17,80mm x 70,28mm x 65,70mm; with side covers 20,8mm x 70,28mm x 65,70mm
- Colour: grey

Standards

- EN-60715
- DIN 43880
- RoHS 2011/65/EU

Product Information

BKT TYPE-C DIN rail adapter, shielded, keystone standard

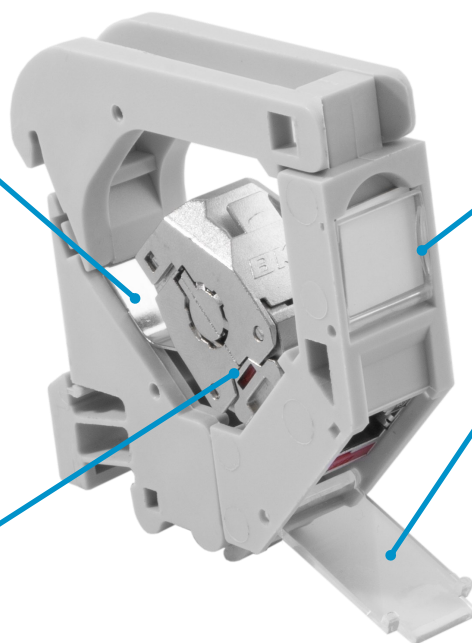
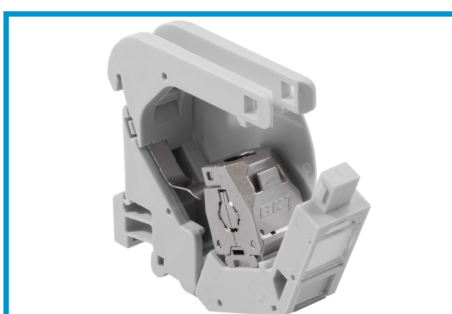
Card No.: PI_11330027_01.21

Special features

The adapter design includes a grounding contact

swivel hinge enables easy open and close the adapter

Equipped with a hinged descriptive window and dust cover

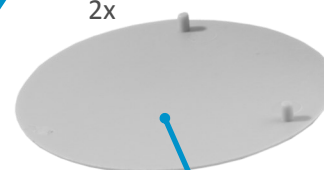


Dimensions

17,80 mm x 70,28 mm x 65,70 mm



2x



Possibility to instal keystone UTP and STP version



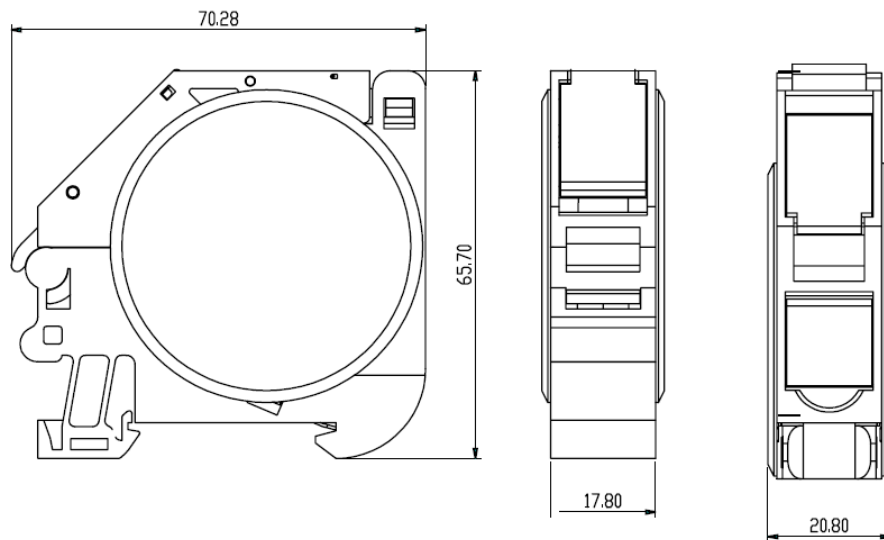
Double side covers

Product Information

BKT TYPE-C DIN rail adapter, shielded, keystone standard

Card No.: PI_11330027_01.21

Dimensions [mm]



Performance / Variantys

Index	Product Description
11330027	BKT TYPE-C DIN rail adapter, shielded, keystone