

Product Information

Angled adaptor BKT 2xRJ45, keystone, M45

Card No.: PI_11330566_01.21



Application

The BKT angle adapter is made in the mosaic standard. The offered adapter has dimensions of 45x45mm and allows mounting 1 or 2 RJ45 keystone modules, depending on the chosen solution. By mounting the module at an angle in the adapter, the wires do not bend as it is the case with flat adapters.

Features

- The adaptor allows mounting RJ45 „keystone” modules in mosaic standard
- Can be mounted in installation boxes (surface or flush) or directly in cable trays
- The integrated automatic dust cover of the port protects pins against both dust and mechanical damage
- Large description field with a transparent shutter to protect the label with description against damage
- Possibility of mounting identification tags with the BKT logo available in different colors to identify the network
- Possibility of shift the identification tags from the BKT RJ45 "keystone" module to the adapter
- Installation up to two modules in the „keystone” standard
- Latches on each side ensure a secure fit in the installation boxes
- The adapter design allows installation of RJ45 „keystone” modules of most manufacturers available on the market
- Size (W x H x D): 45 x 45x 27 mm
- Color: white RAL 9010

Standards

- EN 50085-1
- RoHS 2011/65/EU



Product Information

Angled adaptor BKT 2xRJ45, keystone, M45

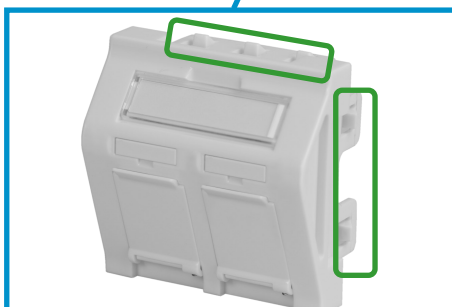
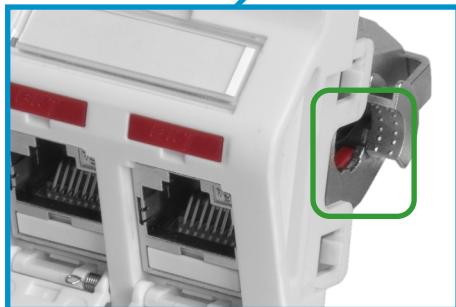
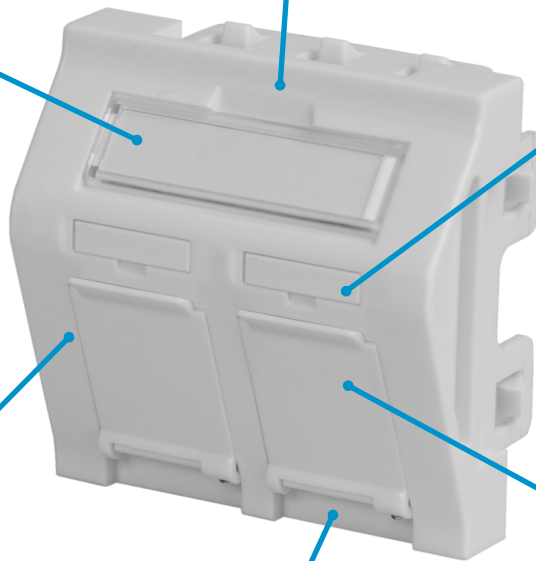
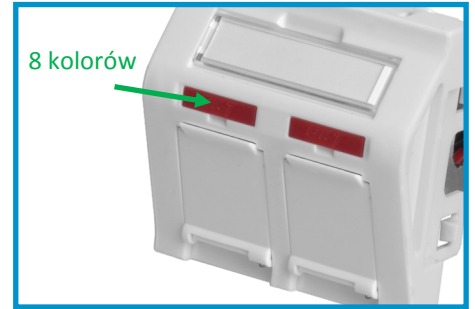
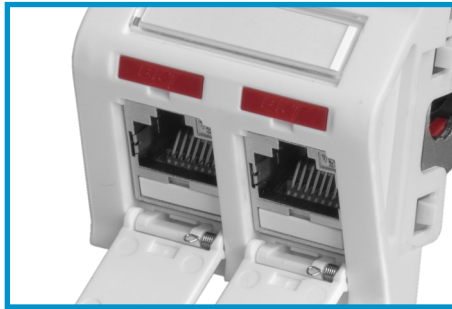
Card No.: PI_11330566_01.21

Special features

Large description field with a transparent shutter to protect the label with description against damage

Possibility of shift the identification tags from the BKT RJ45 "keystone" module to the adaptor

Possibility of mounting id tags with the BKT logo available in different colors to identify the network



Adapted for mounting BKT RJ45 „keystone” modules with side entry

Latches on each side ensure a secure fit in the installation boxes

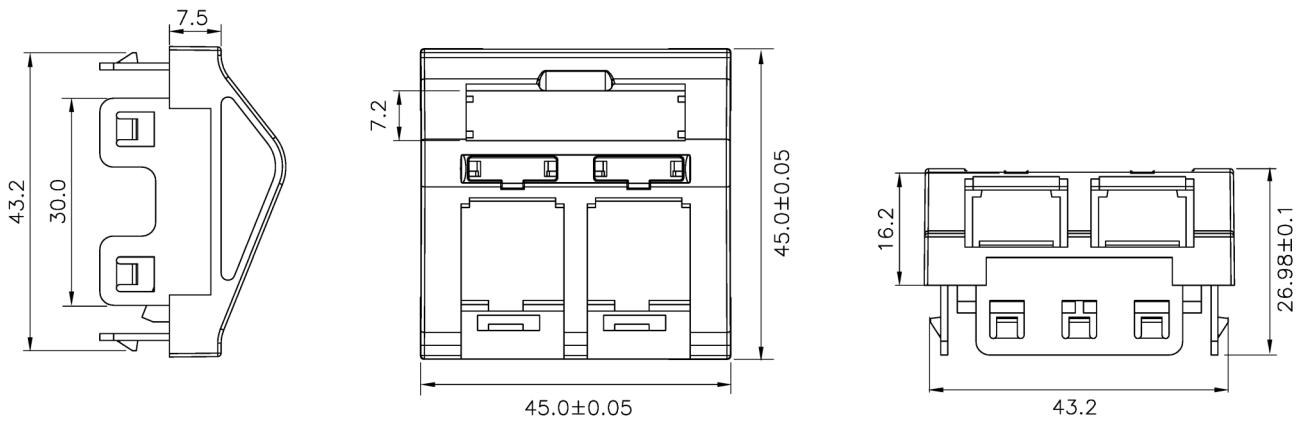
The integrated automatic dust cover of the port protects pins against both dust and mechanical damage

Product Information

Angled adaptor BKT 2xRJ45, keystone, M45

Card No.: PI_11330566_01.21

Dimensions [mm]



Performance / Variants

| Index | Product description |
|----------|--|
| 11330566 | Angled adaptor BKT 2xRJ45, keystone, M45 |