

Product Information

Patch cord BKT RJ45 cat.6 U/UTP LSHF, plug BKT crimped

Card No.: PI_2142829X.Y_01.21



Application

BKT RJ45 patch cords are used for connections in distribution cabinets or for connecting devices to subscriber's outlets. They are used in server rooms, office and industrial facilities, and residential buildings. BKT patch cords are based on high quality components to ensure proper performance for a given system class.

Features

- Plug Type: RJ45 unshielded
- Connector type: 8P8C (8 Positions 8 Connectors)
- Cable Form Standard: ANSI/TIA-568B
- Cable Type: U/UTP LSHF cat. 6 BKT 350L AWG 24/7
- Cable Sheath: LSHF
- 50 micron gold plated pins
- 100% copper patch cord
- BKT Logo on the plug and boot to help identify the system manufacturer
- The triple pin blades provides higher electrical conductivity

Standards

- EN 50173-1
- EN 61935-2
- ISO/IEC 11801
- IEC 61935-2
- ANSI/TIA-568.2
- RoHS 2011/65/EU



Product Information

Patch cord BKT RJ45 cat.6 U/UTP LSHF, plug BKT crimped

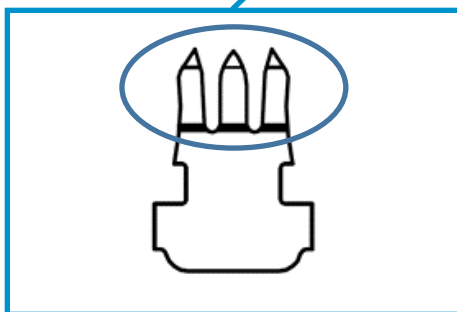
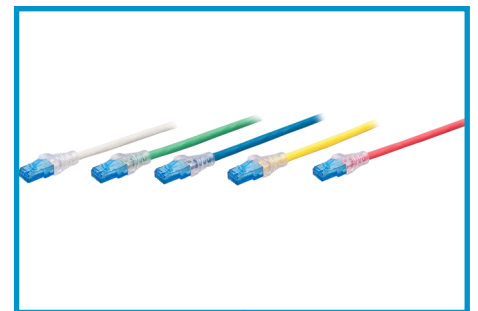
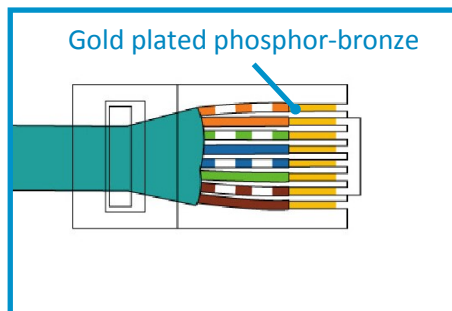
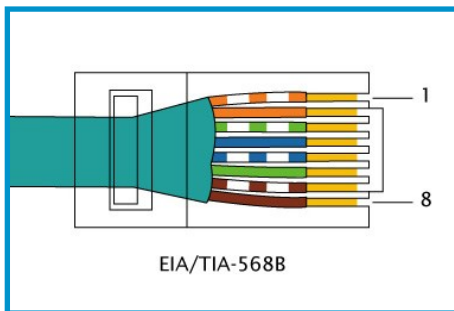
Card No.: PI_2142829X.Y_01.21

Special features

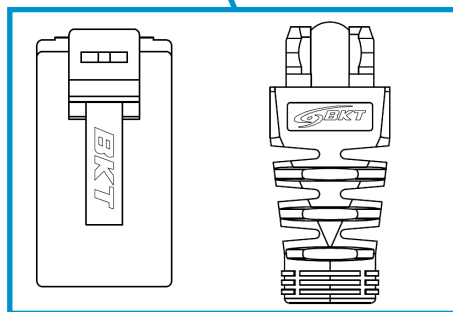
Cable Standard ANSI/TIA-568B

50 micron gold plated pins

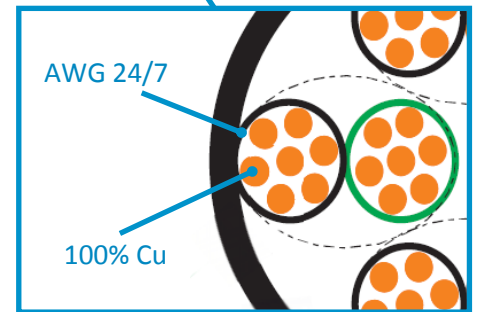
Available patch cord colours



The triple pin blades provides higher electrical conductivity



BKT Logo on the plug and boot to help identify the system manufacturer



Prepared on cable with 24/7 AWG wire diameter, 100% CU

Product Information

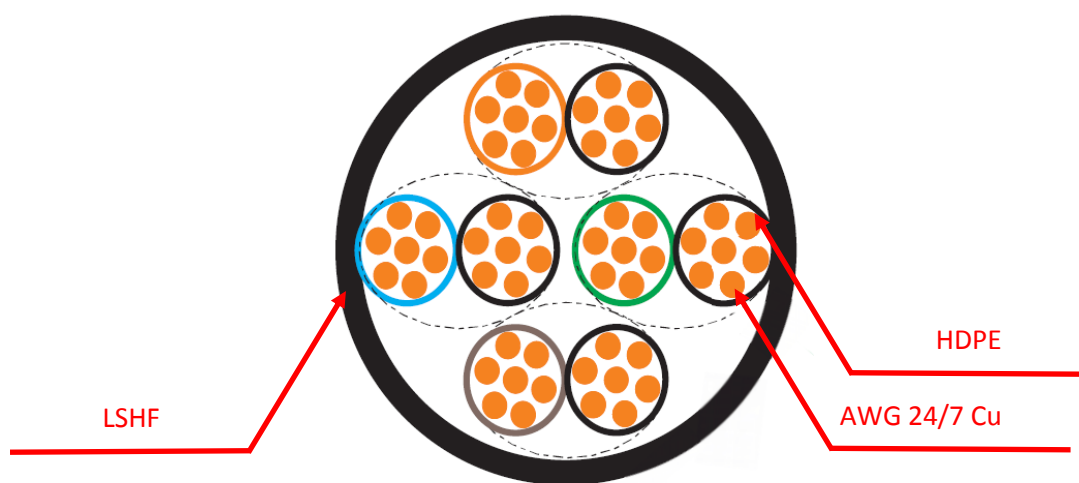
Patch cord BKT RJ45 cat.6 U/UTP LSHF, plug BKT crimped

Card No.: PI_2142829X.Y_01.21

Physical and electrical properties

Rated Voltage [V]	250
Rated Current [A]	2
Dielectric withstanding voltage	1000V AC RMS 50/60Hz
Contact resistance [mΩ]	<20
Plug durability	200 insertion cycles
Plug body	polycarbonate
Contact blade	Gold plated phosphor-bronze (50 microns)
Conector type	8P8C
Boot	PVC+PC
Boot color	transparent
Single wire diameter [AWG]	24/7
Single wire insulation	HDPE
Outer sheath	LSHF
Outer sheath colour	grey, green, blue, yellow, red

Patch cord cable construction

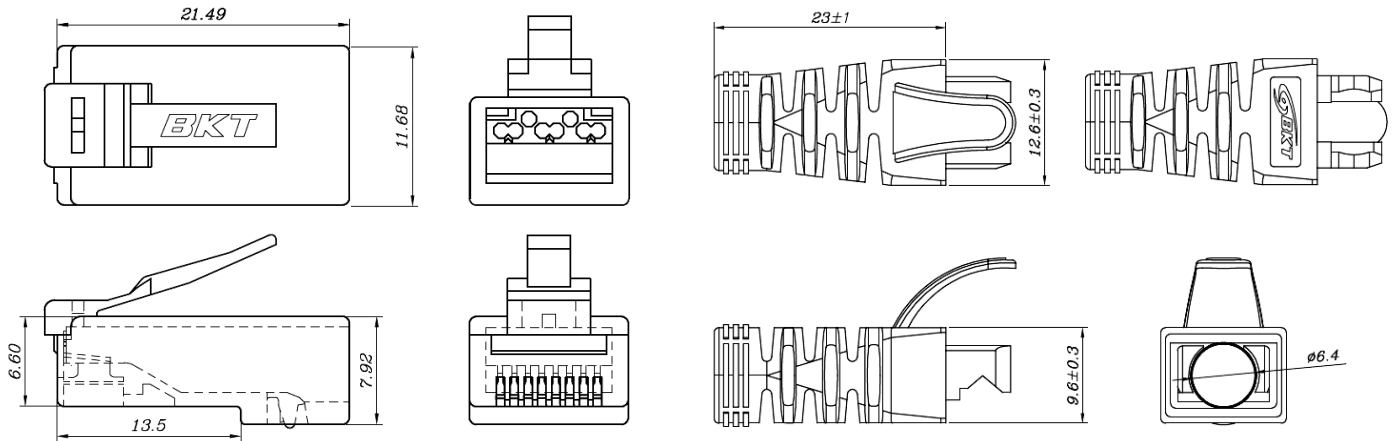


Product Information

Patch cord BKT RJ45 cat.6 U/UTP LSHF, plug BKT crimped

Card No.: PI_2142829X.Y_01.21

Patch cord plug&boot dimensions [mm]



Performance / Variants

Index	Product description
2142829X.Y	Patch cord BKT RJ45 cat.6 U/UTP LSHF, plug BKT crimped

2142829X.Y where:

X patch cord colour: 0 - grey, 1 - green, 2 - blue, 3 - yellow, 4 - red

Y patch cord length (m): 0,5; 1; 1,5; 2; 3; 5; 7,5; 10

Other lengths available after contact with BKT sales