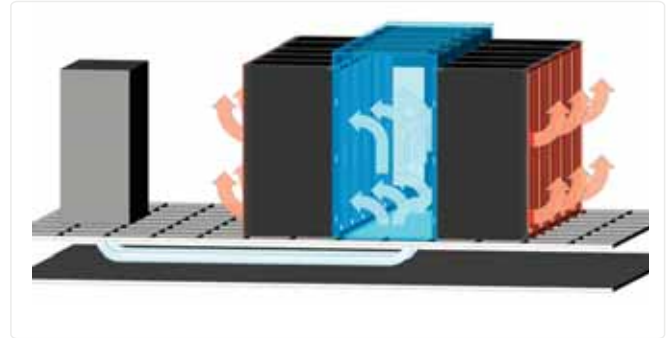
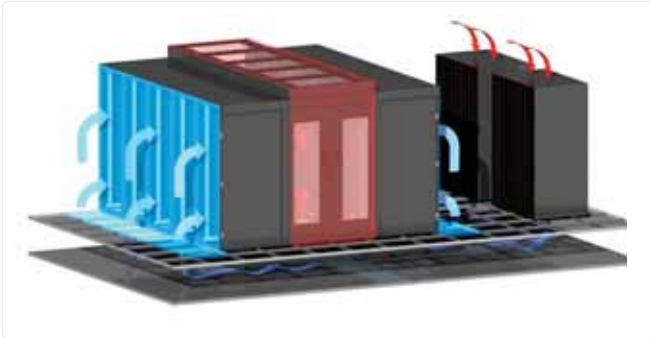


WiseAir™ – Product Configuration

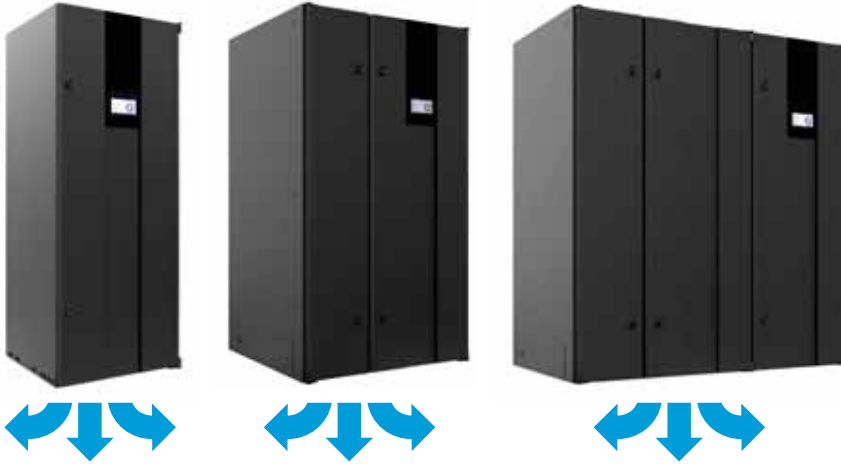


- 1-** Highly reliable scroll compressor
- 2-** Industry leading brands EC / AC fan
- 3-** Intelligent industry-leading controller with color touch screen. Supports BMS integration, teamwork and master/slave working policy.
- 4-** A large area of high-efficiency heat exchanger
- 5-** Industry-leading brands thermostatic expansion valve/electronic expansion valve
- 6-** A large area air filtration system closed to heat exchanger
- 7-** Electrode humidifier
- 8-** Modular design of cabinet can easily achieve secondary disassembly

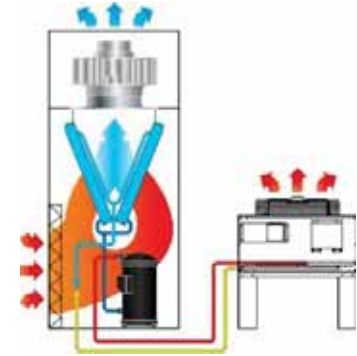


WiseAir™ – Product Configuration

DOWNFLOW

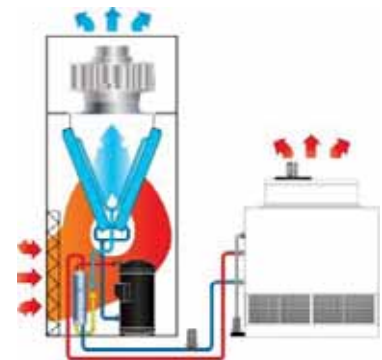
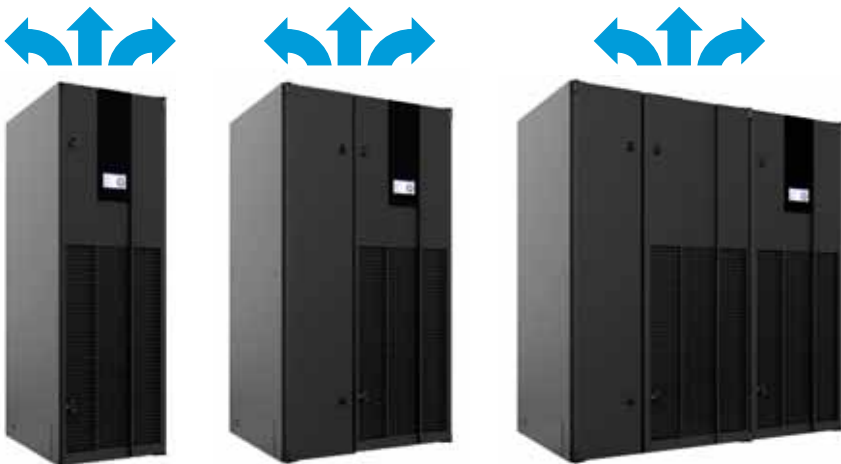


COOLING TYPE

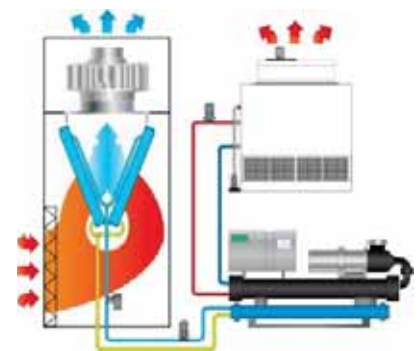


AIR-COOLED

UPFLOW



WATER-COOLED



CHILLED WATER

Options

- Long Piping Kit
- Low-temperature Kit
- Water Leaking Kit
- RS485 / SNMP Network
- Monitoring Card
- Automatic Phase Switching
- Module
- Cooling Type
- Air-cooled
- Chilled water
- Lightning Protection Module
- High-power Electric Heating System
- Large Color Display
- Remote Temperature and Humidity sensor
- Ultra-quiet Air-cooled Outdoor Condenser

WiseAir™ – Room Cooling DX Type

BKT Precision Cooling Room DX- Technical Parameters				
Indoor (U/D) (Upflow/Downflow)	110KCG5505DX0.3 110KCD5505DX0.3	110KCG5507DX0.3 110KCD5507DX0.3	110KCG6512DX0.3 110KCD6512DX0.3	110KCG7517DX0.3 110KCD7517DX0.3
Cooling Capacity –kW	5,5	7,5	12,5	17,5
Sensible Capacity –kW	5,2	6,8	11,3	15,9
SHR-%	94,5	90,7	90,4	90,9
Air Volume-m ³ /h	2000	2250	2850	5000
Fan Type	AC / EC	AC / EC	AC / EC	AC / EC
Heating Capacity-kW	3	3	4	6
Heating Type	PTC	PTC	PTC	PTC
Humidification Capacity-kg / h	2,5	2,5	4	4,5
Humidifier Type	Electrode	Electrode	Electrode	Electrode
Filter Rating	G3	G3	G3	G4
Weight-kg	118	128	178	300
Width-mm	550	550	650	750
Depth –mm	450	450	550	700
Height-mm	1750	1750	1850	1900
Power Input ¹⁾	230V/50Hz/1Ph	230V/50Hz//1Ph	400V/50Hz//3Ph	400V/50Hz//3Ph
FLA-A ¹⁾	15,6	17,6	16	19,5
Recommended Breakder ¹⁾	D20	D20	D20	D25
Recommended Breakder ³⁾	-	-	D32	D40
Startup Current- A	46,8	52,8	48	58,5
Pipe Connection-mm	10/12	10/12	12/16	16/16
Drain Connection-mm	20	20	20	20
Water In Connection	3/4"G	3/4"G	3/4"G	3/4"G
Single/Dual System	Single	Single	Single	Single
Refrigerant	R410A	R410A	R410A	R410A
Outdoor (Recommended)	110KSF0800000.1	110KSF1200000.1	110KSF1800000.1	110KSF2400000.1
Single/Dual	Single	Single	Single	Single
Numbers	1	1	1	1
Weight-kg	28	40	67	105
Depth-mm	420	420	420	990
Width-mm	800	800	800	1407
Height-mm	790	790	1240	689
Feet Height-mm	-	-	-	450
Power Type ¹⁾	230V/50Hz/1Ph	230V/50Hz/1Ph	230V/50Hz/1Ph	400V/50Hz/3Ph
FLA –A ¹⁾	1,5	1,5	3	2
Pipe Connection-mm	10/12	10/12	12/16	16/22

WiseAir™ – Room Cooling DX Type

BKT Precision Cooling Room DX- Technical Parameters				
Indoor (U/D) (Upflow/Downflow)	110KCG7521DX0.3 110KCD7521DX0.3	110KCG8527DX0.3 110KCD8527DX0.3	110KCG1137DX0.3 110KCD1137DX0.3	110KCG1350DX0.3 110KCD1350DX0.3
Cooling Capacity –kW	21,2	27,5	32,5	37,7
Sensible Capacity –kW	19,1	25	29,3	34
SHR-%	90,1	90,9	90,2	90,2
Air Volume-m ³ /h	6200	6700	8325	8620
Fan Type	AC / EC	AC / EC	AC / EC	AC / EC
Heating Capacity-kW	6	6	6	6
Heating Type	PTC	PTC	PTC	PTC
Humidification Capacity-kg / h	4,5	5	8	8
Humidifier Type	Electrode	Electrode	Electrode	Electrode
Filter Rating	G4	G4	G4	G4
Weight-kg	318	338	433	438
Width-mm	750	850	1126	1126
Depth –mm	700	700	990	990
Height-mm	1900	1900	1975	1975
Power Input ¹⁾	400V/50Hz//3Ph	400V/50Hz//3Ph	400V/50Hz//3Ph	400V/50Hz//3Ph
FLA-A ¹⁾	27,5	30,9	32,8	35,7
Recommended Breakder ¹⁾	D32	D40	D40	D40
Recommended Breakder ³⁾	D63	D63	D63	D80
Startup Current- A	82,5	92,7	98,4	107,1
Pipe Connection-mm	16/16	16/22	16/22	16/22
Drain Connection-mm	20	20	20	20
Water In Connection	3/4"G	3/4"G	3/4"G	3/4"G
Single/Dual System	Single	Single	Single	Single
Refrigerant	R410A	R410A	R410A	R410A
Outdoor (Recommended)	110KSF2400000.1	110KSF3200000.1	110KSF1800000.1	110KSF5200000.1
Single/Dual	Single	Single	Single	Single
Numbers	1	1	1	1
Weight-kg	105	110	120	140
Depth-mm	990	990	990	1273
Width-mm	1407	1407	1407	1607
Height-mm	689	689	695	695
Feet Height-mm	450	450	450	450
Power Type ¹⁾	400V/50Hz/3Ph	400V/50Hz/3Ph	400V/50Hz/3Ph	400V/50Hz/3Ph
FLA –A ¹⁾	2	2	2,8	2,8
Pipe Connection-mm	16/22	16/22	16/22	22/28

WiseAir™ – Room Cooling DX Type

BKT Precision Cooling Room DX- Technical Parameters				
Indoor (U/D) (Upflow/Downflow)	110KCG1350DX0.3 110KCD1350DX0.3	110KCG1871DX0.3 110KCD1871DX0.3	110KCG1343DX0.3 110KCD1343DX0.3	110KCG1350DX0.3 110KCD1350DX0.3
Cooling Capacity –kW	41,8	50	43,5	50,1
Sensible Capacity –kW	38,1	45	39,2	45,2
SHR-%	91,1	90	90,1	90,2
Air Volume-m ³ /h	10500	12400	10500	12400
Fan Type	AC / EC	AC / EC	AC / EC	AC / EC
Heating Capacity-kW	9	9	9	9
Heating Type	PTC	PTC	PTC	PTC
Humidification Capacity-kg / h	10	10	10	10
Humidifier Type	Electrode	Electrode	Electrode	Electrode
Filter Rating	G4	G4	G4	G4
Weight-kg	468	528	478	568
Width-mm	1326	1326	1326	1326
Depth –mm	990	990	990	990
Height-mm	1975	1975	1975	1975
Power Input ¹⁾	400V/50Hz//3Ph	400V/50Hz//3Ph	400V/50Hz//3Ph	400V/50Hz//3Ph
FLA-A ¹⁾	43,2	48,2	42,4	52,8
Recommended Breakder ¹⁾	D63	D63	D63	D63
Recommended Breakder ³⁾	-	-	-	-
Startup Current- A	129,6	144,6	127,2	158,4
Pipe Connection-mm	16/22	16/22	16/22	16/22
Drain Connection-mm	20	20	20	20
Water In Connection	3/4"G	3/4"G	3/4"G	3/4"G
Single/Dual System	Single	Single	Dual	Dual
Refrigerant	R410A	R410A	R410A	R410A
Outdoor (Recommended)	110KSF520000.1	110KSF620000.1	110KDF520000.1	110KDF620000.1
Single/Dual	Single	Single	Dual	Dual
Numbers	1	1	1	1
Weight-kg	140	150	140	160
Depth-mm	1273	1273	1273	1273
Width-mm	1607	1907	1607	2107
Height-mm	695	689	695	689
Feet Height-mm	450	450	450	450
Power Type ¹⁾	400V/50Hz/3Ph	400V/50Hz/3Ph	400V/50Hz/3Ph	400V/50Hz/3Ph
FLA –A ¹⁾	2,8	4	2,8	4
Pipe Connection-mm	22/28	22/28	22/28	22/28

WiseAir™ – Room Cooling DX Type

BKT Precision Cooling Room DX- Technical Parameters				
Indoor (U/D) (Upflow/Downflow)	110KCG1865DX0.3 110KCD1865DX0.3	110KCG1871DX0.3 110KCD1871DX0.3	110KCG2083DX0.3 110KCD2083DX0.3	110KCG2092DX0.3 110KCD2092DX0.3
Cooling Capacity –kW	65,1	71,1	83,6	92,1
Sensible Capacity –kW	58,8	64	75,3	83,6
SHR-%	90,3	90	90,1	90,8
Air Volume-m ³ /h	16650	17240	21000	22600
Fan Type	AC / EC	AC / EC	AC / EC	AC / EC
Heating Capacity-kW	9	9	12	12
Heating Type	PTC	PTC	PTC	PTC
Humidification Capacity-kg / h	10	10	12	12
Humidifier Type	Electrode	Electrode	Electrode	Electrode
Filter Rating	G4	G4	G4	G4
Weight-kg	688	718	768	806
Width-mm	1826	1826	2026	2026
Depth –mm	990	990	990	990
Height-mm	1975	1975	1975	1975
Power Input ¹⁾	400V/50Hz//3Ph	400V/50Hz//3Ph	400V/50Hz//3Ph	400V/50Hz//3Ph
FLA-A ¹⁾	61	63,9	77,2	82,2
Recommended Breakder ¹⁾	D80	D80	D100	D100
Recommended Breakder ³⁾	-	-	-	-
Startup Current- A	183	191,7	231,6	246,6
Pipe Connection-mm	16/22	16/22	16/22	16/22
Drain Connection-mm	20	20	20	20
Water In Connection	3/4"G	3/4"G	3/4"G	3/4"G
Single/Dual System	Dual	Dual	Dual	Dual
Refrigerant	R410A	R410A	R410A	R410A
Outdoor (Recommended)	110KDF760000.1	110KSF520000.1	110KSF520000.1	110KSF620000.1
Single/Dual	Dual	Single	Single	Single
Numbers	1	2	2	2
Weight-kg	220	140	140	150
Depth-mm	1273	1273	1273	1273
Width-mm	2407	1607	1607	2107
Height-mm	695	695	695	689
Feet Height-mm	450	450	450	450
Power Type ¹⁾	400V/50Hz/3Ph	400V/50Hz/3Ph	400V/50Hz/3Ph	400V/50Hz/3Ph
FLA –A ¹⁾	4	2,8	2,8	4
Pipe Connection-mm	22/28	22/28	22/28	22/28

WiseAir™ – Room Cooling DX Type

BKT Precision Cooling Room DX- Technical Parameters

Indoor (U/D) (Upflow/Downflow)	110KCG222100DX.3 110KCD22100DX.3
Cooling Capacity –kW	100,9
Sensible Capacity –kW	91,1
SHR-%	90,2
Air Volume-m ³ /h	24800
Fan Type	AC / EC
Heating Capacity-kW	12
Heating Type	PTC
Humidification Capacity-kg / h	12
Humidifier Type	Electrode
Filter Rating	G4
Weight-kg	888
Width-mm	2226
Depth –mm	990
Height-mm	1975
Power Input ¹⁾	400V/50Hz//3Ph
FLA-A ¹⁾	87,2
Recommended Breakder ¹⁾	D100
Recommended Breakder ³⁾	-
Startup Current- A	261,6
Pipe Connection-mm	16/22
Drain Connection-mm	20
Water In Connection	3/4"G
Single/Dual System	Dual
Refrigerant	R410A
Outdoor (Recommended)	110KSF6200000.1
Single/Dual	Single
Numbers	2
Weight-kg	150
Depth-mm	1273
Width-mm	1907
Height-mm	689
Feet Height-mm	450
Power Type ¹⁾	400V/50Hz/3Ph
FLA –A ¹⁾	4
Pipe Connection-mm	22/28

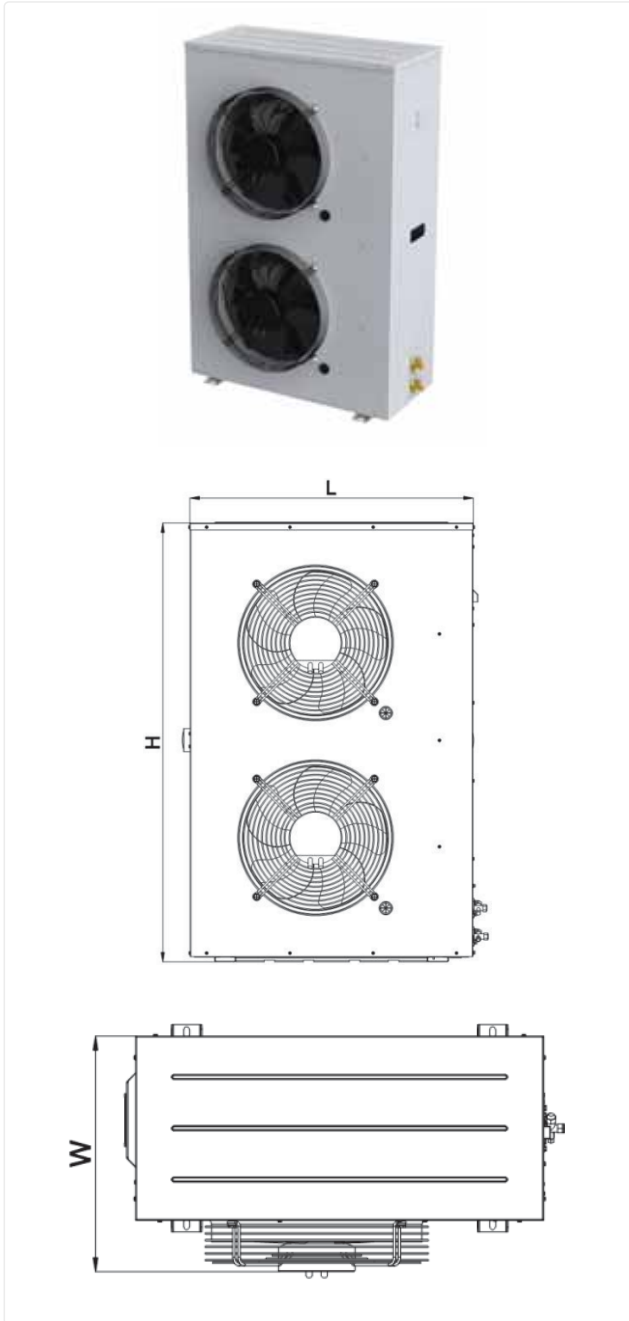
Notes:

1. Capacity based on 24°C/50%RH return air conditions, and 45C condensing temperature.
2. The standard ESP 20Pa. Higher application shall refer to technical department for confirmation.
3. Full load current parameters of the indoor unit includes the outdoor unit of full load current.
4. Standard air-cooled outdoor unit operating temperature range-15°C above, optional operating temperature range of the components-35°C with low temperature kit.
5. Indoor unit is 50Hz or choiceable prior order, outdoor unit is 50Hz/ common.
6. Option: Piping extension kit for long piping distance installation more than 30m equivalent distance. FreeCooling pump, ATS kit for automatic power switching ,space saving dual contactor type.
7. Customized design is negotiable
8. Rights reserved to change parameters without prior notification
9. Option: Cooling with humidification

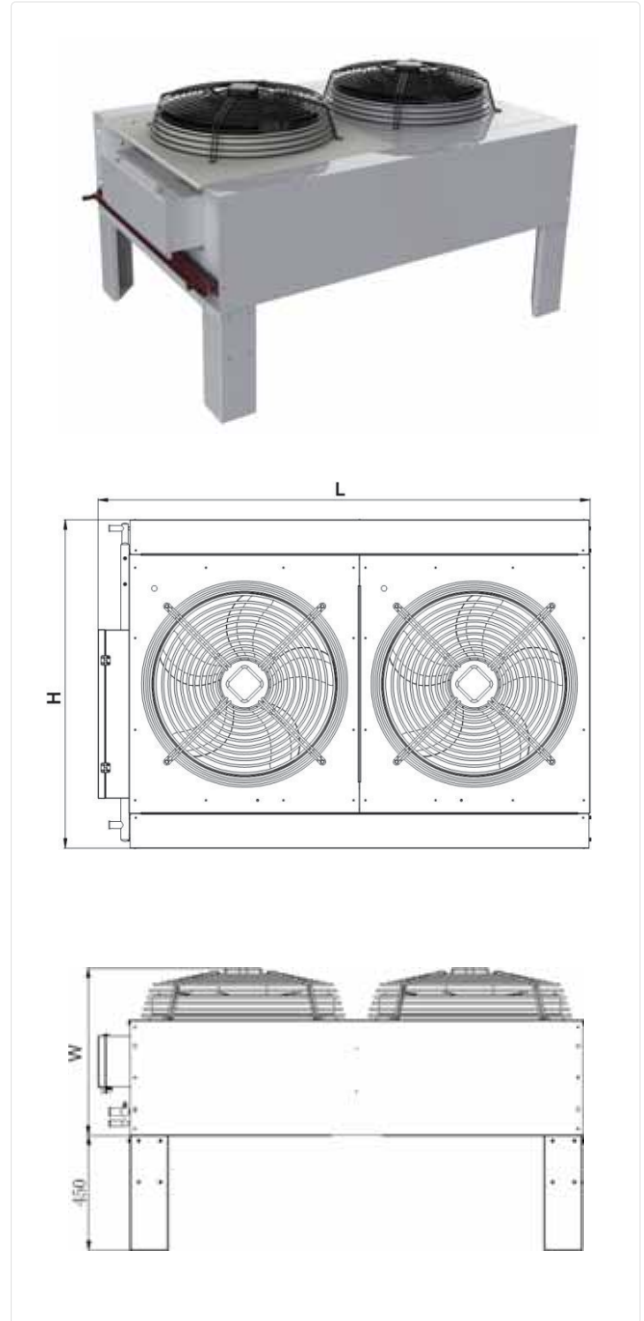
Normal high pressure is about 21bar and 9bar low pressure. 4bar low pressure alarm point, and 39bar high pressure point.

Air Cooled Condenser

KSF06 - KSF18



KSF24 - KDF85



Options

- Long Piping Kit
- Low-temperature Kit
- Water Leaking Kit
- RS485 / SNMP Network
- Monitoring Card
- Monitoring Card
- Automatic Phase Switching
- Module
- Cooling Type
- Air-cooled

Air Cooled Condenser

BKT Condenser Technical Data					
Model	110KSF0600000.1	110KSF0800000.1	110KSF1200000.1	110KSF1800000.1	110KSF2400000.1
Single/Dual System	Single	Single	Single	Single	Single
Weight- kg	28	28	40	67	105
Depth- mm	395	420	420	420	990
Height-mm	632	790	790	1240	689
Leg Height	-	-	-	-	450
Power Input ¹⁾	230V/50Hz/1Ph	230V/50Hz/1Ph	230V/50Hz/1Ph	230V/50Hz/1Ph	400V/50Hz/3Ph
FLA-A	1.5	1.5	1.5	3.0	1.7
Piping Connection - mm	10/12	10/12	10/12	12/16	16/22

BKT Condenser Technical Data					
Model	110KSF3200000.1	110KSF3800000.1	110KSF4200000.1	110KSF5200000.1	110KSF6200000.1
Single/Dual System	Single	Single	Single	Single	Single
Weight- kg	110	120	130	140	150
Depth- mm	990	990	1273	1273	1273
Height-mm	689	695	695	695	689
Leg Height	450	450	450	450	450
Power Input ¹⁾	400V/50Hz/3Ph	400V/50Hz/3Ph	400V/50Hz/3Ph	400V/50Hz/3Ph	400V/50Hz/3Ph
FLA-A	1.7	2.4	2.4	2.4	3.3
Piping Connection - mm	16/22	16/22	16/22	22/28	22/29

BKT Condenser Technical Data				
Model	110KDF620000.1	110KDF700000.1	110KDF760000.1	110KDF850000.1
Single/Dual System	Dual	Dual	Dual	Dual
Weight- kg	160	160	220	230
Depth- mm	1273	1273	1273	1273
Height-mm	689	689	695	695
Leg Height	450	450	450	450
Power Input ¹⁾	400V/50Hz/3Ph	400V/50Hz/3Ph	400V/50Hz/3Ph	400V/50Hz/3Ph
FLA-A	3.3	3.3	4.8	4.8
Piping Connection - mm	22/30	22/31	22/32	22/33

Notes

1. 110KSF080000.1-110KSF180000.1 is vertical installation, and adopts quick piping connection
2. 110KSF240000.1 and above is horizontal/vertical adaptive, and adopts soldering connection

www.bkte.pl

BKT Elektronik
ul. Łochowska 69
86-005 Białe Błota
Tel. +48 52 36 36 371
Fax. +48 52 36 36 370